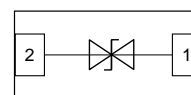


## Features

- 60Watts peak pulse power ( $t_p = 8/20\mu s$ )
- Tiny DFN0603-2 package
- Bidirectional configurations
- R2R + Zener technology
- Low clamping voltage
- Low leakage current
- Ultra low capacitance ( $C_j = 0.2pF$  typ.)
- Protection one data/power line to:
  - IEC 61000-4-2  $\pm 18kV$  contact  $\pm 18kV$  air
  - IEC 61000-4-4 (EFT) 40A (5/50ns)
  - IEC 61000-4-5 (Lightning) 3.5A (8/20 $\mu s$ )



## Mechanical Data

- **Case:** DFN0603-2 (plastic package).  
Lead free; RoHS compliant; Halogen free
- **Molding Compound Flammability Rating:**  
UL 94 V-0
- **Terminals:** High temperature soldering guaranteed:  
260 °C/10 sec. at terminals

## Applications

- USB3.0/3.1, Type C, Firewire, DVI, HDMI, S-ATA
- Thunderbolt, Display Port
- Mobile HDMI Link, MDDI, MIPI, SWP / NFC

## Absolute Maximum Ratings

Ratings at 25 °C, ambient temperature unless otherwise specified

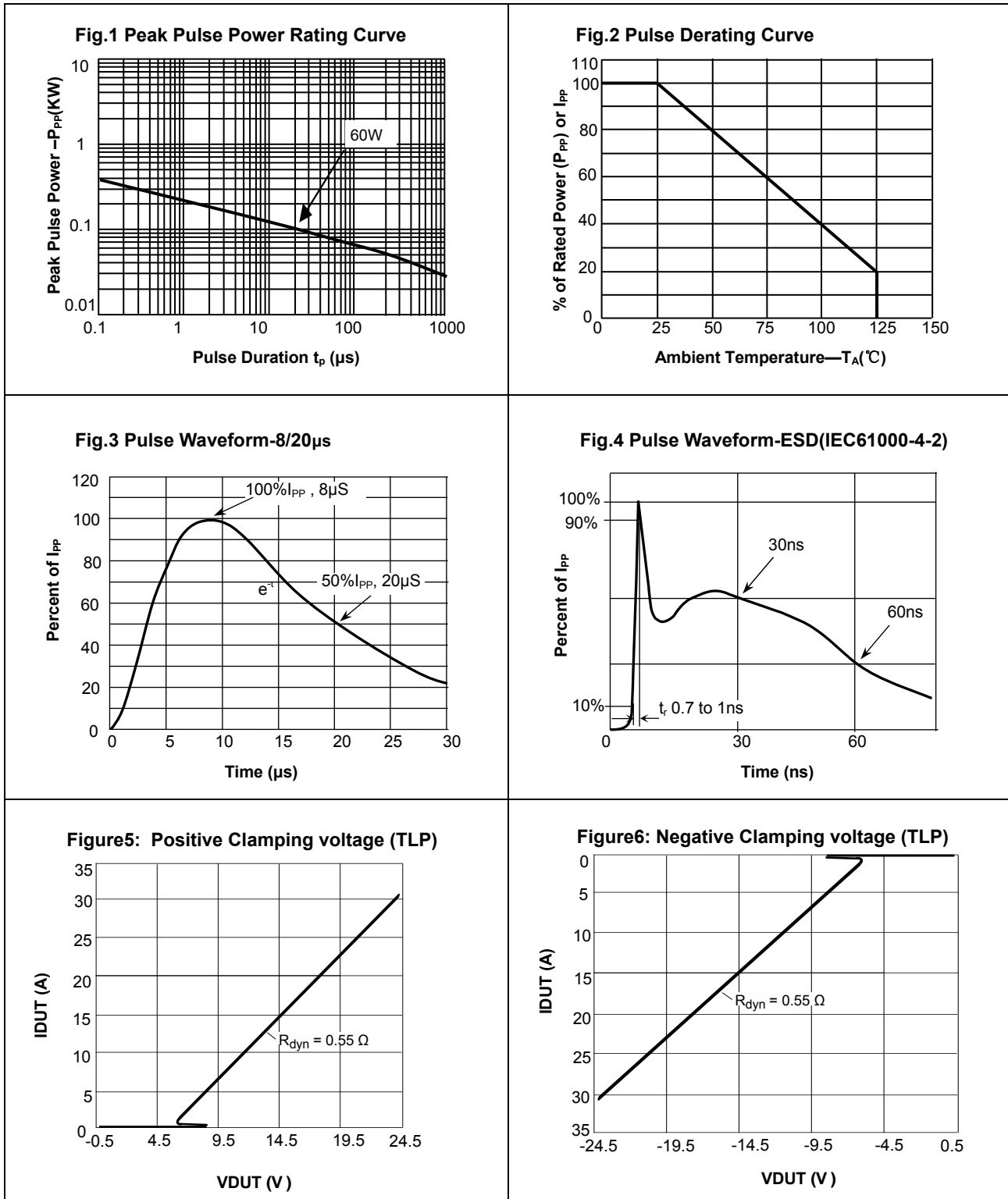
Parameter	Symbol	Value	Unit
Peak Pulse Power ( $T_P = 8/20\mu s$ )	$P_{PP}$	60	W
ESD contact/air discharge (IEC-61000-4-2)	$V_{ESD}$	18/18	kV
Peak Pulse Current ( $T_P = 8/20\mu s$ )	$I_{PP}$	3.5	A
Junction Temperature	$T_J$	-55 to +125	°C
Storage temperature	$T_{STG}$	-55 to +150	°C
Maximum Lead Solder Temperature(10 second duration)	$T_L$	260	°C

## Electrical Characteristics

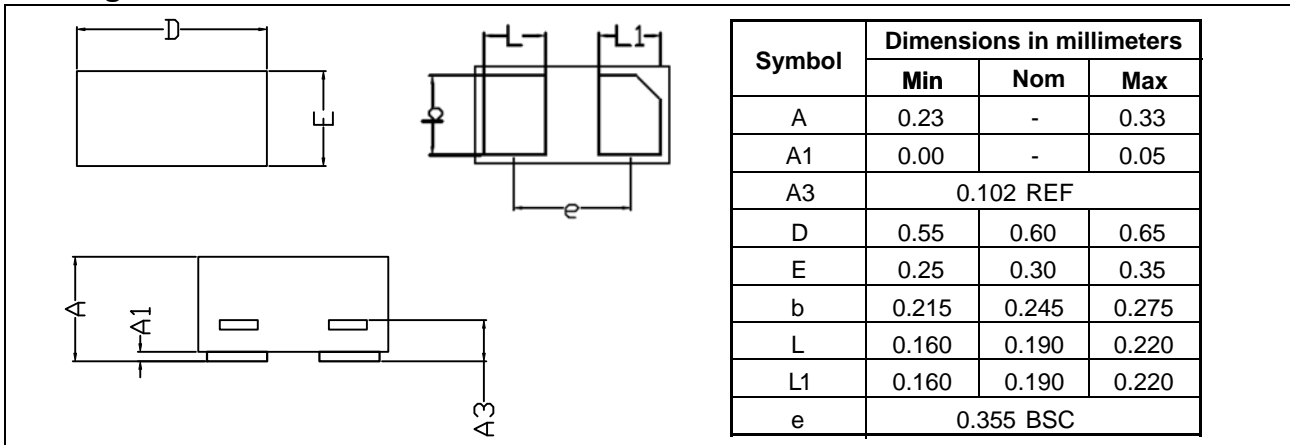
( $T_A = 25$  °C unless otherwise specified)

Parameter	Symbol	Condition	Min	Typ	Max	Unit
Reverse stand-off Voltage	$V_{RWM}$				5.0	V
Reverse Breakdown Voltage	$V_{BR}$	$I_T = 1mA$	6.0			V
Reverse Leakage Current	$I_R$	$V_{RWM} = 5V$			100	nA
Clamping Voltage	$V_C$	$I_{PP} = 3.5A, T_P = 8/20\mu s$		15		V
Clamping Voltage(TLP)	$V_C$	$I_{PP} = 16A, T_P = 100ns$			15	V
Dynamic Resistance	$R_{dyn}$	$T_P = 100ns$		0.55		$\Omega$
Junction Capacitance	$C_J$	$V_R = 0V, f = 1MHz$		0.2		pF

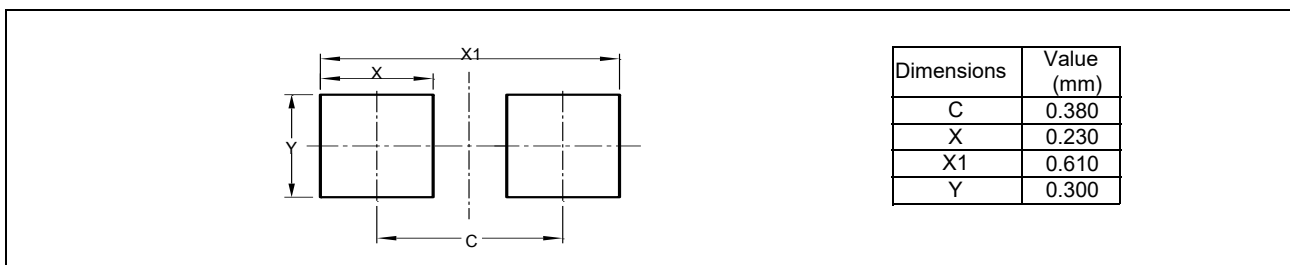
Typical Characteristics ( $T_{amb} = 25\text{ }^{\circ}\text{C}$  unless otherwise specified)



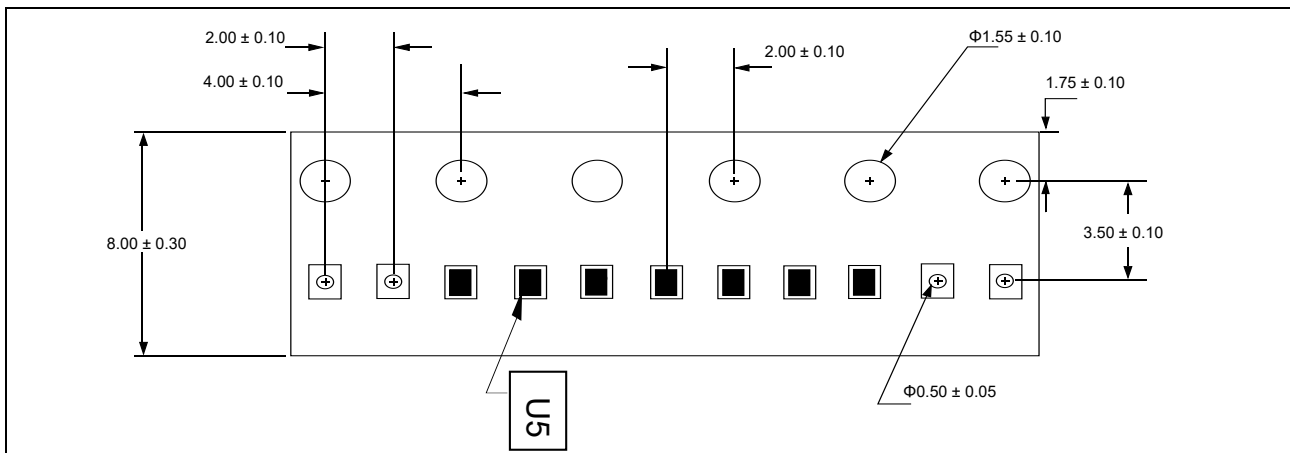
### Package Dimensions



### Pad Dimensions



### Package Information



### Ordering information

Order code	Marking	Package	Packaging option	Base quantity	Packaging specification
YEUD062053A5G	U5	DFN0603-2	Tape and reel	10000pcs / reel	EIA STD RS-481