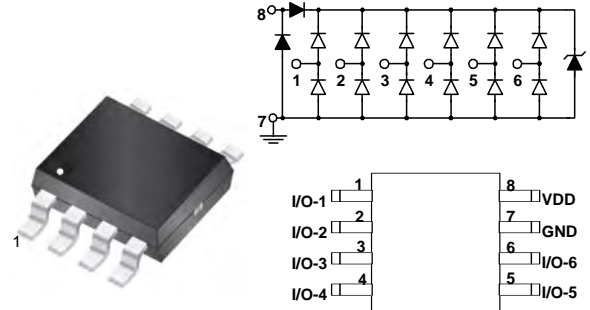


Features

- 100Watts peak pulse power ($T_p = 8/20\mu s$)
- MSOP-8 Package
- Protects six Line Pairs
- Solid-state Punch through Avalanche TVS process technology
- Low clamping voltage
- Low leakage current
- Ultra Low capacitance
- Transient protection for high-speed data lines to :
IEC 61000-4-2 (ESD) $\pm 15kV$ (air), $\pm 8kV$ (contact)
IEC 61000-4-4 (EFT) 40A (5/50ns)
IEC 61000-4-5 (Lightning) 5A (8/20 μs)



Mechanical Data

- **Case:** MSOP-8 (plastic package).
Lead free; RoHS compliant; Halogen free
- **Molding Compound Flammability Rating:**
UL 94 V-0
- **Terminals:** High temperature soldering guaranteed:
260C/10 sec. at terminals

Applications

- HDMI Ports
- WAN/LAN Equipment
- Desktops, Servers, Notebooks & Handhelds
- 10/100/1000 Ethernet
- Base Stations

Absolute Maximum Ratings

Ratings at 25 °C, ambient temperature unless otherwise specified

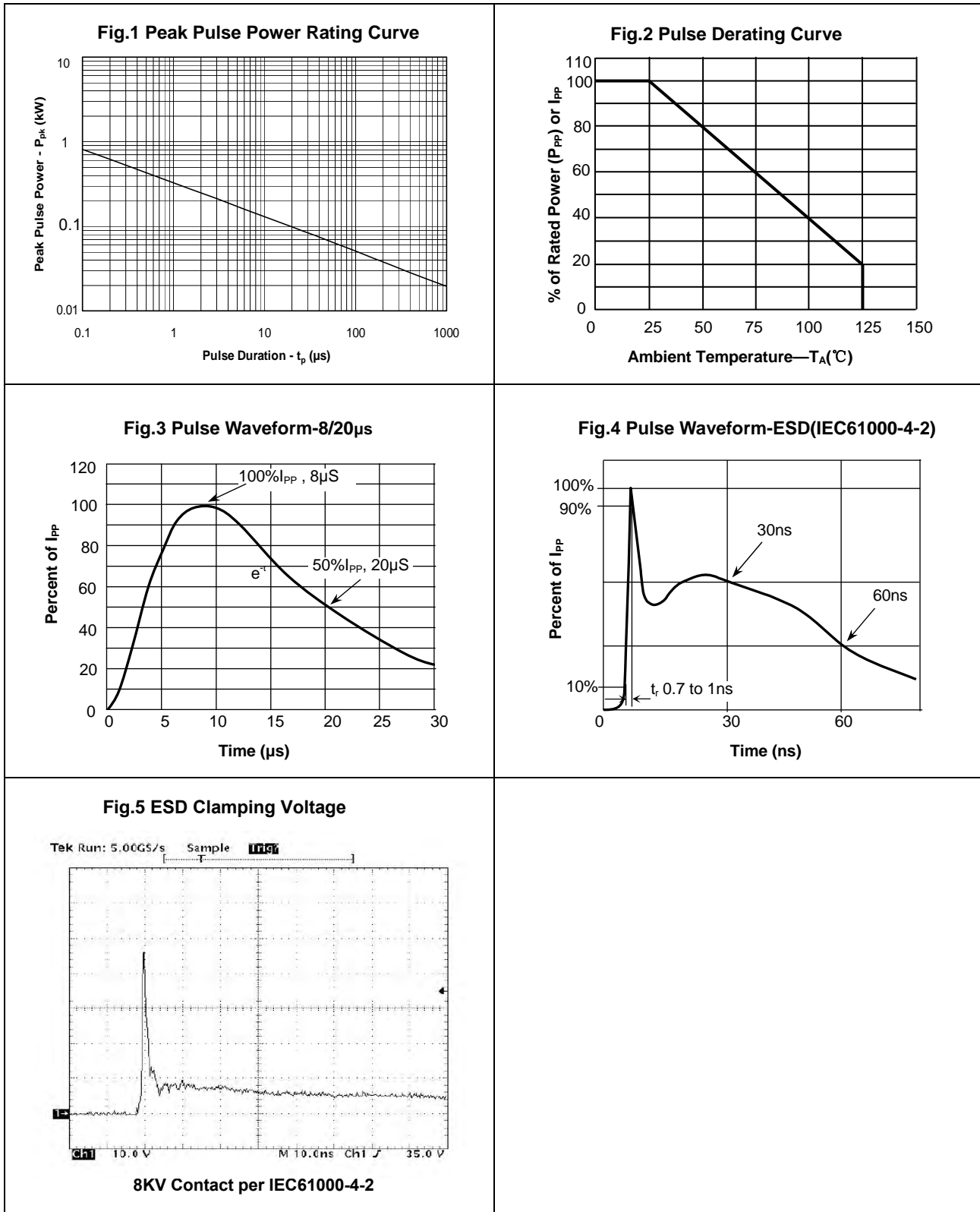
Parameter	Symbol	Value	Unit
Peak Pulse Power ($T_P=8/20\mu s$)	P_{PP}	100	W
ESD contact/air discharge (IEC-61000-4-2)	V_{ESD}	8/15	kV
Peak Pulse Current ($T_P = 8/20\mu s$)	I_{PP}	5	A
Junction Temperature	T_J	-55 to +125	°C
Storage temperature	T_{STG}	-55 to +150	°C

Electrical Characteristics

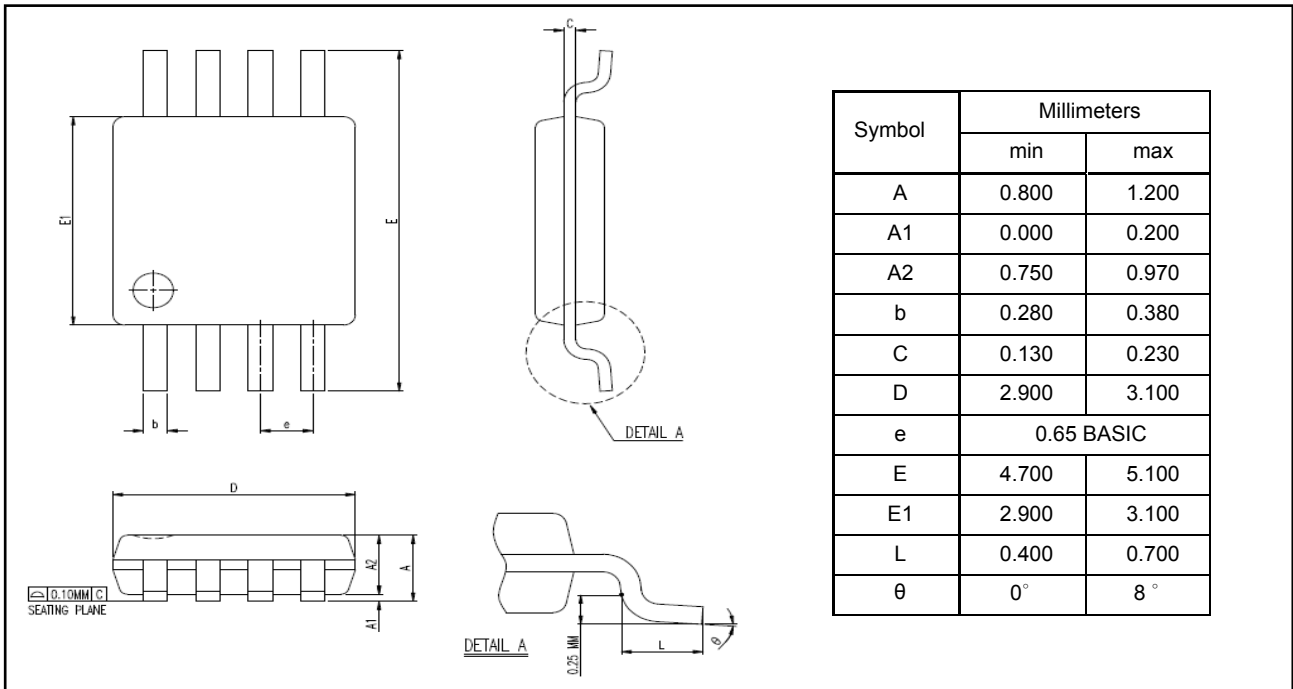
($T_A = 25\text{ }^\circ\text{C}$ unless otherwise specified)

Parameter	Symbol	Condition	Min	Typ	Max	Unit
Reverse stand-off Voltage	V_{RWM}				5.0	V
Reverse Breakdown Voltage	V_{BR}	$I_T=1mA$	6.0			V
Reverse Leakage Current	I_R	$V_R=5.0V$			0.5	μA
Clamping Voltage	V_C	$I_{PP}=1A, T_P=8/20\mu s$			12	V
Clamping Voltage	V_C	$I_{PP}=5A, T_P=8/20\mu s$			20	V
Junction Capacitance	C_J	$V_R=0V, f=1MHz$		0.3		pF

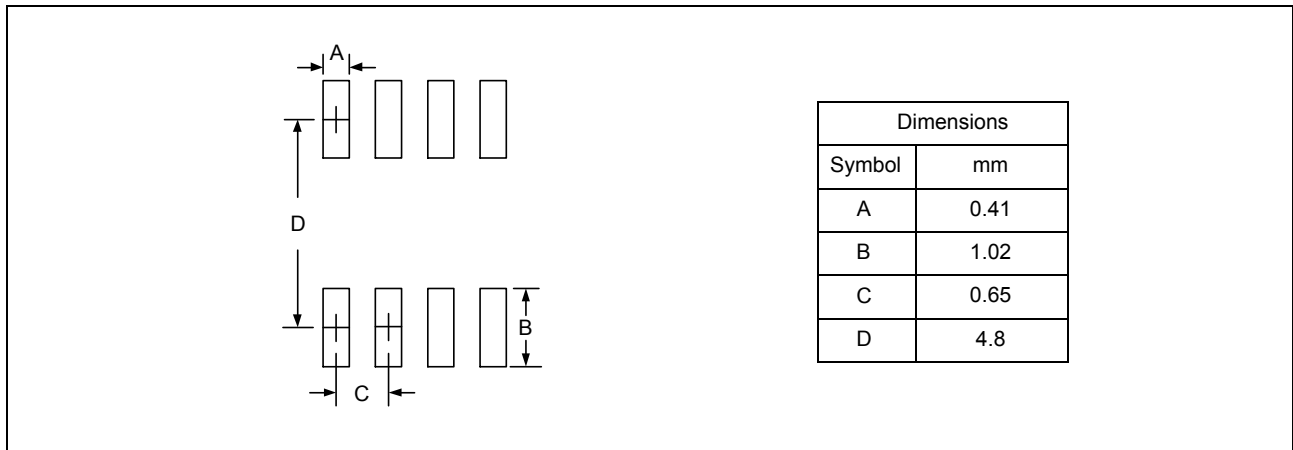
Typical Characteristics ($T_{amb} = 25\text{ }^{\circ}\text{C}$ unless otherwise specified)



Package Dimensions



Part number system



Ordering information

Order code	Package	Packaging option	Base quantity	Packaging specification
YEUMSO80505AV	MSOP-8	Tape and reel	5000pcs / reel	EIA STD RS-481